

Double kickstand and Lowrider Pino



Small parts list:

Install Lowrider

2xM6x70 + spacer
4xbush 25mm

Install double kickstand

1xM6x12 + spacer
1xM6x12
2xM6x40
2x bush 25mm
1x locknut, 1x nut

Install Lowrider & double kickstand

1xM6x12 + spacer
1xM6x16 + spacer
2xM6x70 + 2x spacer
1x selflocking nut
4xbush 25mm

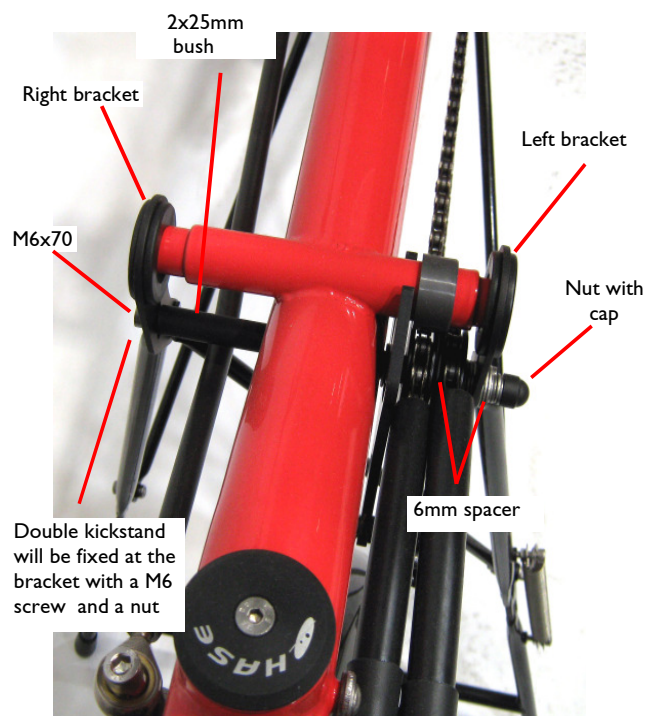
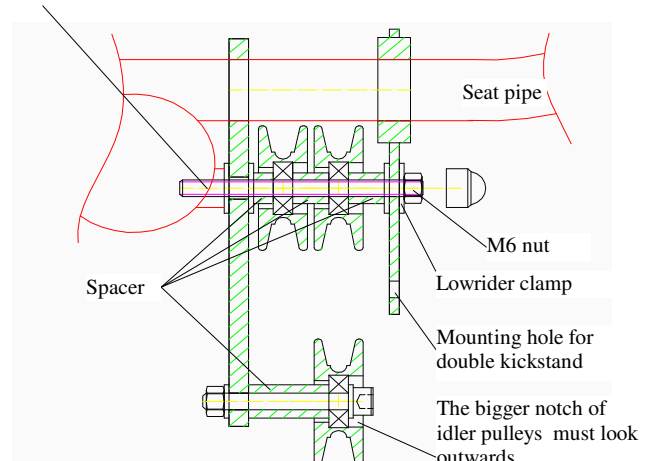
If DKS already exists, install LR

2xbush 25mm
2xM6x70
2xspacer

If LR already exists, install DKS

1xM6x12 + spacer
1xM6x16 + spacer
2xbush 25mm
1x locknut 1x nut

Screw stud bolt 15mm deep
with high strength
threadlocker.



Double kickstand and Lowrider Pino



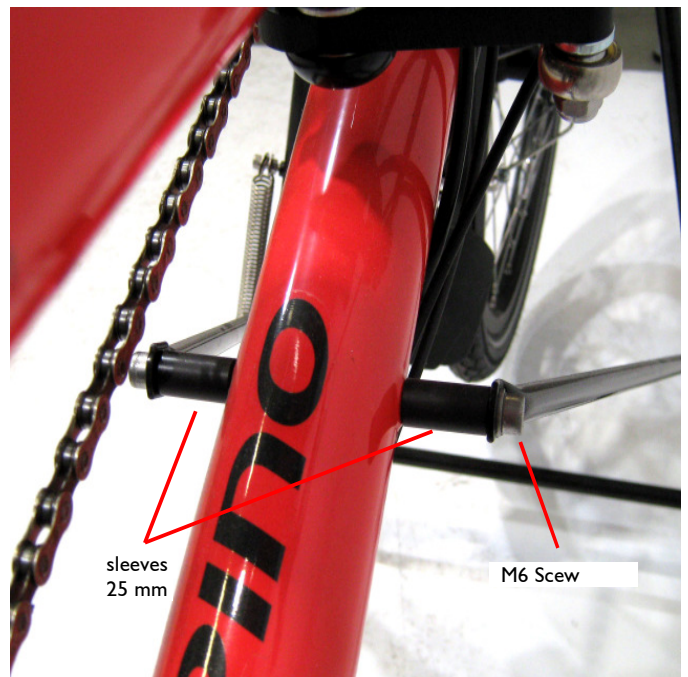
The robust double kickstand makes it possible to climb up and down without holding the bike. When you want to drive the kickstand goes up alone.

Installation of the double kickstand

Please handle like this: There are borings which are designed to be for the M6 screws. So you can screw the double kickstand on the holding plate at the borings. (Cut above, look at the picture on the right)



The struts for the back are getting fixed with M6 screws and distance sleeves. Look at the picture on the right. Now the kickstand is ready for use.



Double kickstand and Lowrider Pino

The Pino-Lowrider will be fixed under the front seat and it is also practical for bags. The pino has a very good transport capacity for a tandem.

Installation of the Lowrider

The Lowrider will be fixed between M6 nut and holding plate. For the otherside you have to use M6x70 screw and distance sleeve. (Picture on the right)

The back of the Lowrider is also getting screwed with M6 screws and two 25mm long distance sleeves. There are thread eyes which are designed to be for the screws. Please regard, especially if you use a children crankset, that you can push a teflon tube above the distance sleeve on the left. So you can protect it for chain strokes.

A little help for you is the picture on the bottom. There you can find a Pino with a complete assembled Lowrider.

